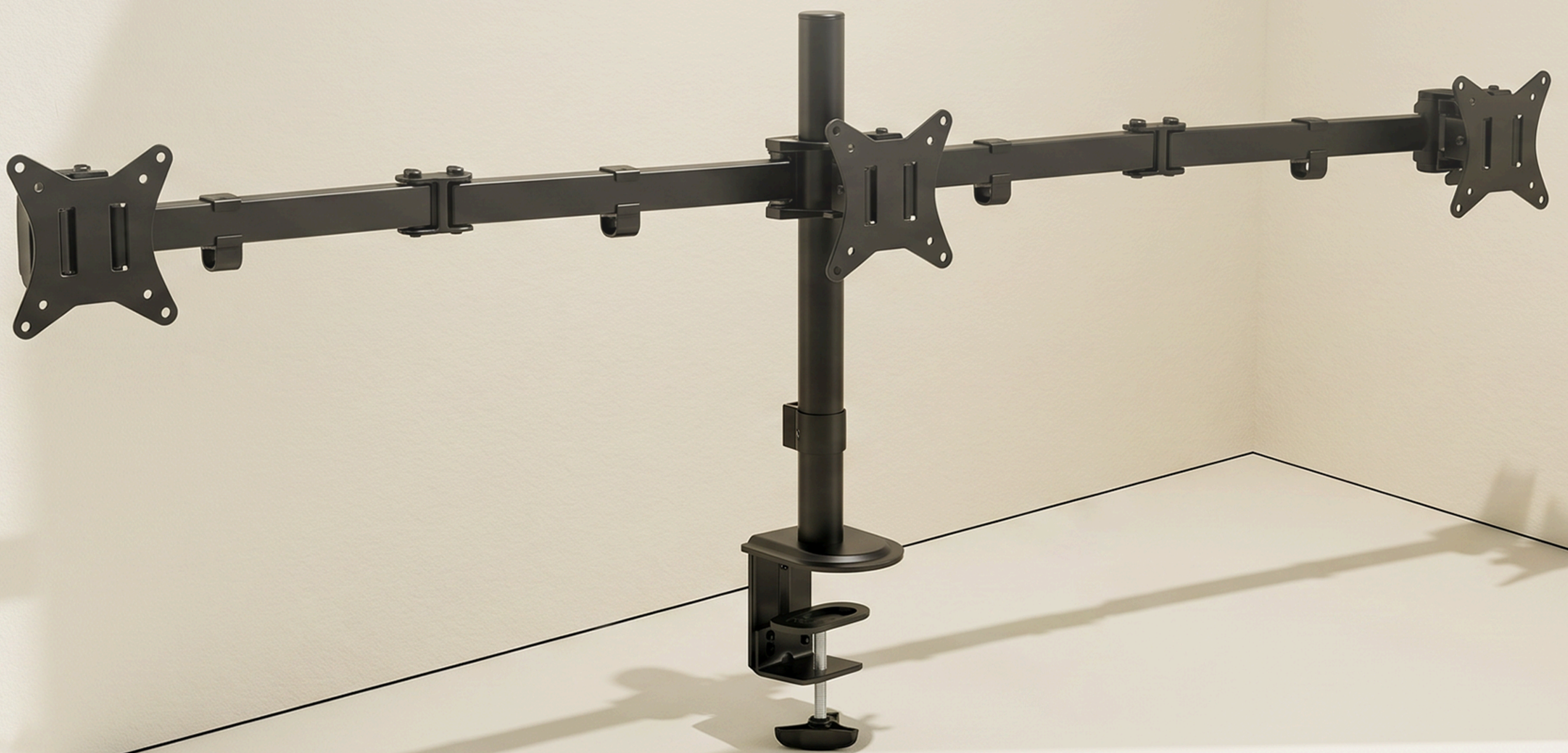


Brateck

Triple Displays. Triple Efficiency.

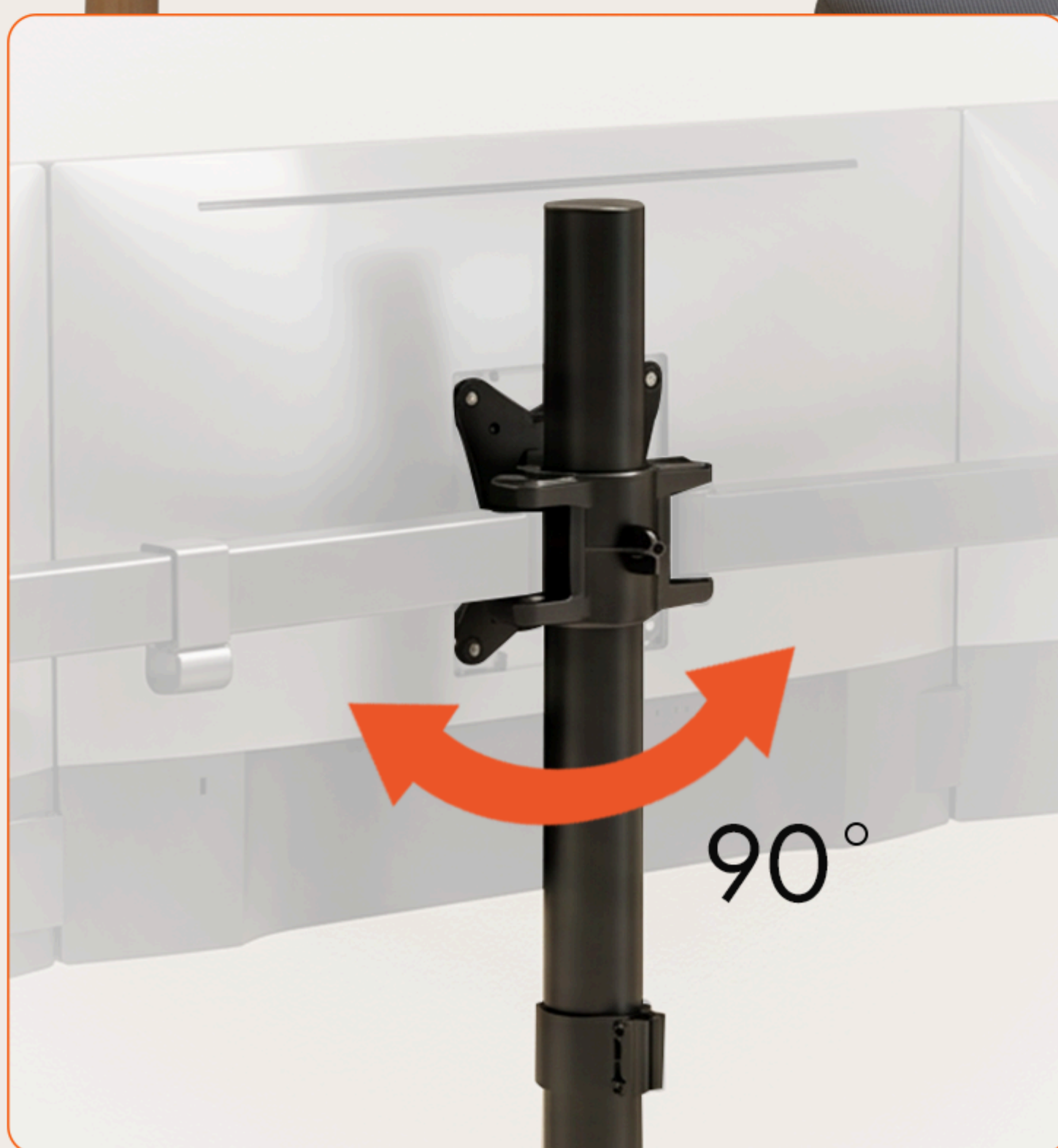


ARTICULATING MONITOR ARM

The **Brateck Triple-Monitor Steel Articulating Monitor Mount** helps create a more organized and productive workspace by elevating multiple screens off the desk. Constructed from durable steel, its fully adjustable articulating arms allow users to position monitors for optimal comfort, improving ergonomics, reducing desk clutter, and enhancing multitasking efficiency for work, gaming, and professional applications.

Fully Adjustable Articulating Arms

Allow each monitor to tilt, swivel, rotate, and adjust in height independently, providing maximum viewing flexibility and an ergonomic setup that helps reduce neck and eye strain.



Flexible Mounting with Cable Management

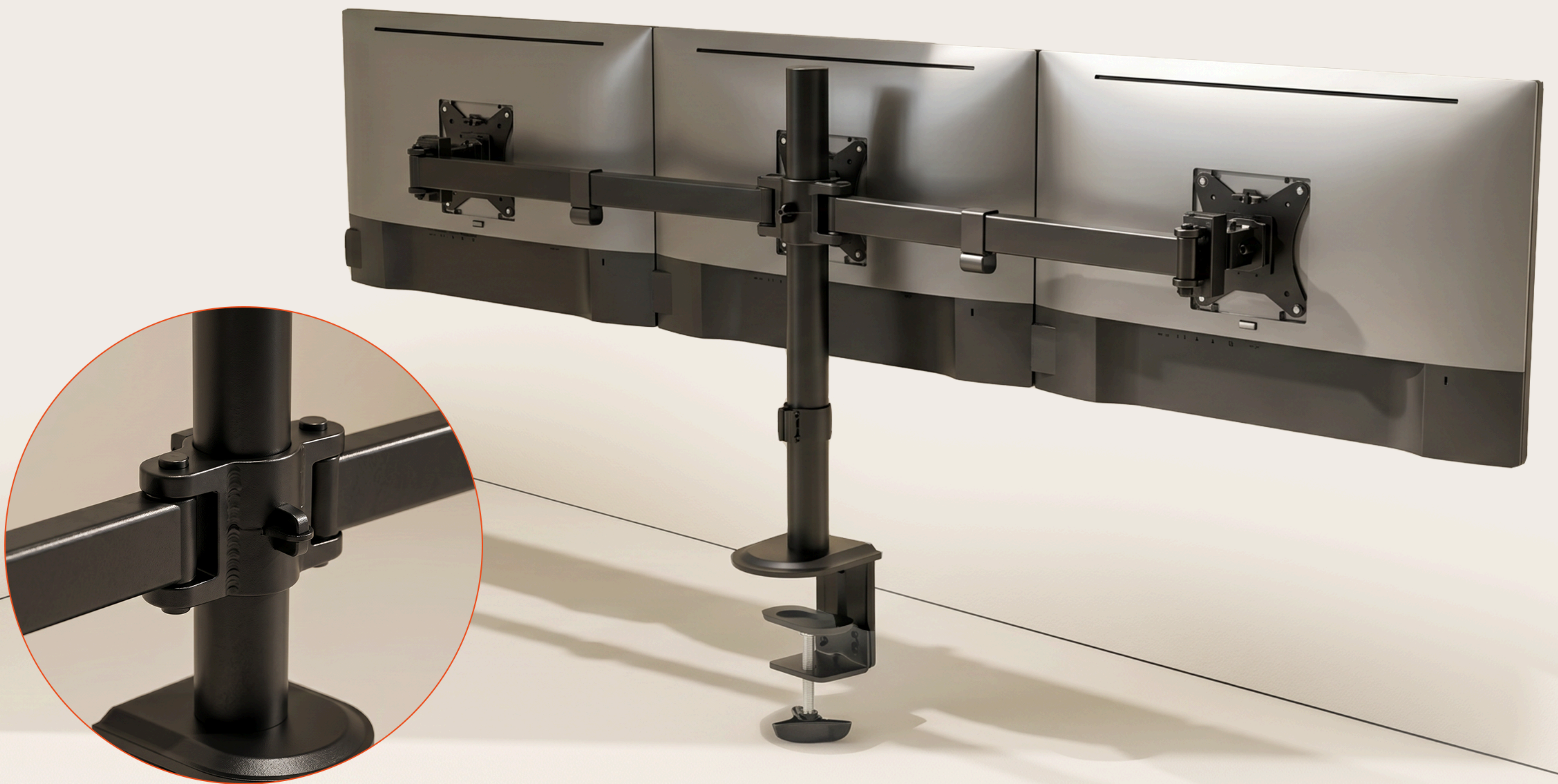
Features a 2-in-1 clamp and grommet base for secure installation on various desk setups, while integrated cable management keeps wires neatly organized for a clean and efficient workspace.



CABLE
MANAGEMENT

Durable Steel Construction

Provides exceptional strength and stability, ensuring reliable support and long-lasting performance for daily use.



17"-27" Fit Screen	Matte Black Color	Aluminum, Plastic, Steel Material
7kg (15.4lbs) Weight Capacity <i>*per screen</i>	1433x141x550mm Dimensions	10~85mm Desktop Thickness <i>*Clamp</i>
+45°~-45° Tilt Range	+90°~-90° Swivel Range	10~40mm Desktop Thickness <i>*Grommet</i>
+180°~-180° Screen Rotation	658mm (25.9") Arm Full Extension	Yes Cable Management
407mm (16") Pole Height	Yes Quick Release VESA Plate	