

Brateck

Secure Everything with One Powerful Solution.

LIFT MONITOR STAND & CPU MOUNT



The **Brateck Vertical Lift Monitor Stand with Thin Client CPU Mount** is a space-saving ergonomic solution designed to support 17"–32" monitors up to 8kg while securely mounting a thin client CPU. With smooth height adjustment and VESA compatibility, it helps create a cleaner, more organized, and efficient workspace.

Universal VESA Monitor & CPU Mounting Solution

Supports VESA 75x75 and 100x100 standards while featuring an integrated adjustable thin client CPU holder for a cleaner, space-saving workstation setup.



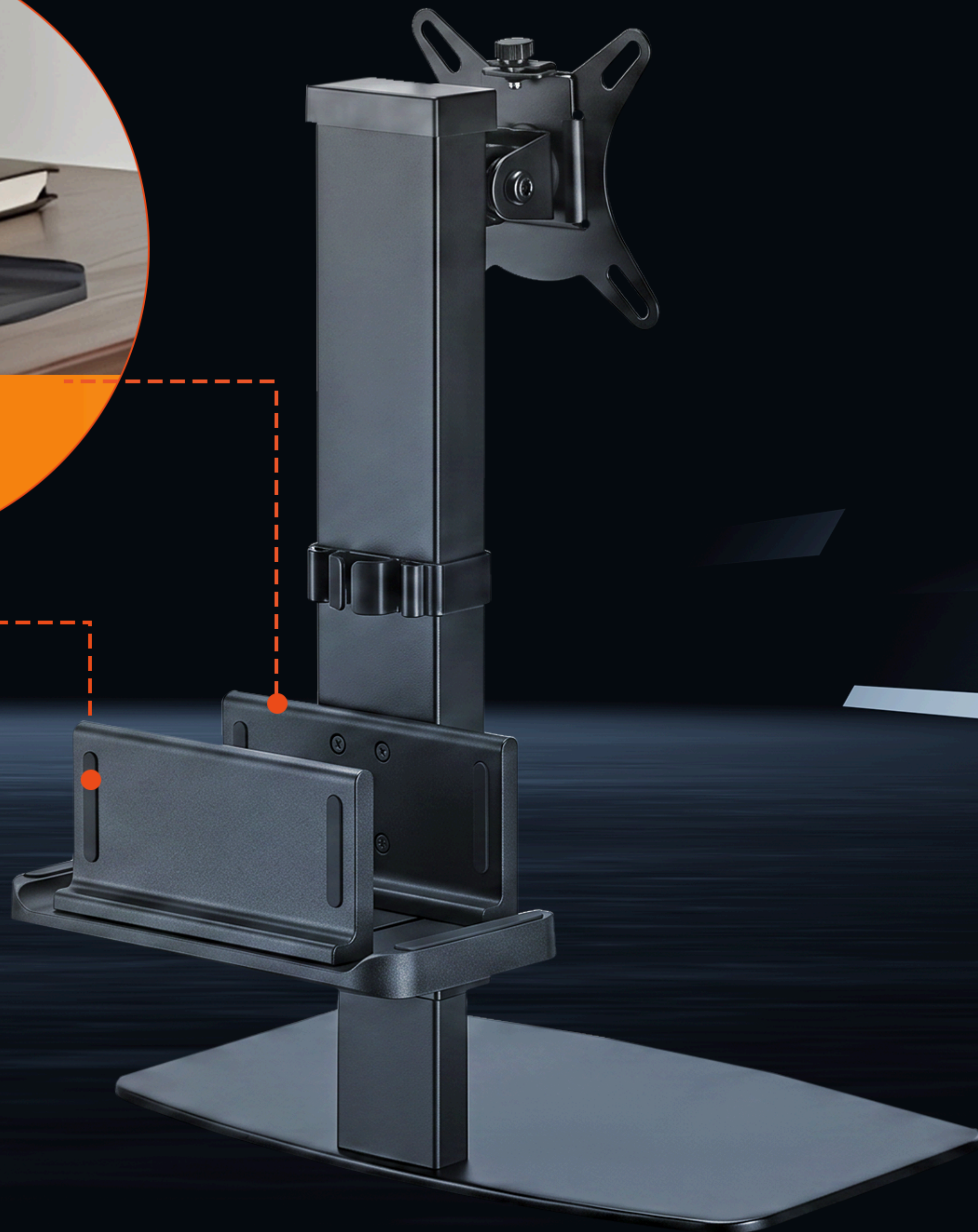


Vertical Lift Height Adjustment

Smooth vertical lift design allows easy monitor height positioning for improved ergonomic comfort.

Adjustable Protected CPU Holder

Expandable holder supports devices from 5mm to 70mm thick, while non-slip silicone pads provide a secure grip and protect against scratches and damage.



17"-32" Fit Screen Size	Matte Black Color	Steel, Plastic Material
+50°~-20° Tilt Range	+180°~-180° Screen Rotation	+30°~-30° Swivel Range
75x75,100x100 VESA Compatible	Yes Cable Management	2kg (4.4lbs) Weight Capacity <i>*CPU Holder</i>
860mm (33.9") Height	320x308x375~555mm Dimensions	8kg (17.6lbs) Weight Capacity <i>*per screen</i>