

Brateck

Lift Bigger. Present Better.

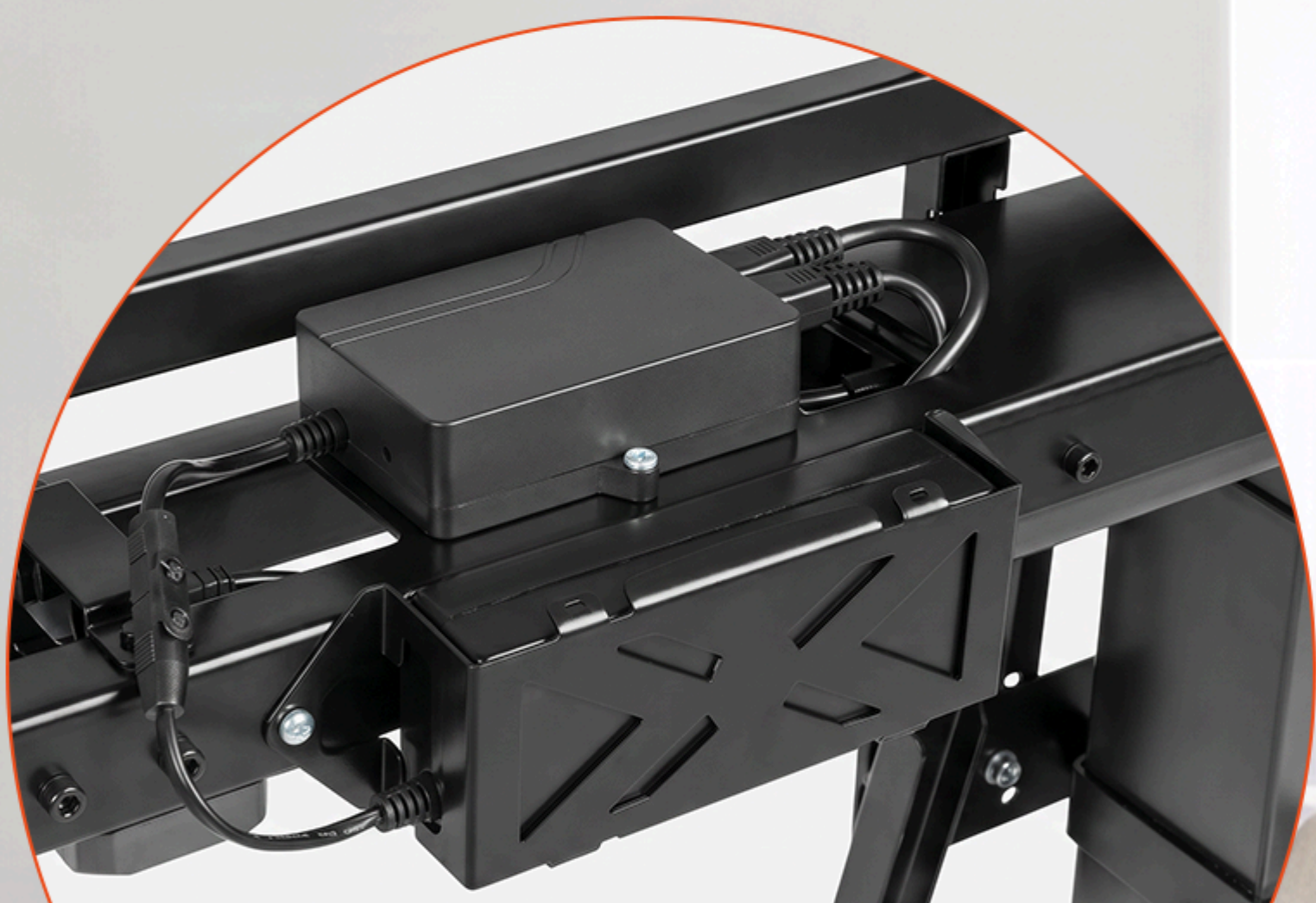


TV FLOOR STAND

Elevate large-screen presentations with confidence. The **Brateck TTL14-68FR** delivers powerful motorized height adjustment, exceptional load capacity, and a clean wall-mounted design—making it the ideal solution for classrooms, boardrooms, and collaborative spaces where performance, safety, and flexibility matter most.

Motorized Dual-Motor Height Adjustment System

Provides smooth, effortless screen positioning at the touch of a button, delivering powerful, stable, and reliable height adjustments for large displays while enhancing viewing comfort, accessibility, and operational safety.



POWERFUL
LIFTING MOTOR



Remote Control Operation

Allows users to conveniently adjust screen height from anywhere in the room, enabling quick, effortless positioning for optimal viewing, collaboration, and presentation experiences.



PROGRAMMABLE MEMORY PRESETS



Heavy-Duty 120kg Load Capacity

Engineered to safely support extra-large displays from 55" to 100", making it ideal for interactive flat panels, commercial displays, and premium meeting room installations.

55"-100" Fit Screen	Matte Black Color	Aluminum, Silicone, Steel Material
120kg (264lbs) TV Weight Capacity	904x250x1250~1925mm Dimensions	
36.4"~63" Height Range	Yes TV Height Adjustable	86x46x1.5t x 890mm/ 80x40x1.5t x 870mm Column Size
Yes Direction Indicator	Yes Cable Management	

Bracket Arm THK=0.079" cold-rolled sheet
Metal Sheet Thickness